

# AIZX-50



Brown  
Rice Unit  
**AIZX-50**

*Distributor:*



CREATIVE TECHNOLOGICAL INNOVATIONS

# AIZX-50

## Brown Rice Unit AIZX-50

### Model:

AIZX-50

### Power / Poles:

#### Paddy husker

5,5 kW / IV

7,5 hp / IV

#### Paddy separator

1,5 kW / VI

2,0 hp / VI

### Input capacity paddy rice (kg/h):

2200 to 2500

### Approx. shipping volume (m<sup>3</sup>):

10,13

### Approx. shipping weight (kg):

1416

### Dimensions (mm):

Height x Width x Length

2795 x 1910 x 1810

Zaccaria has the solution of exact size for your needs. The ZX series machines has been developed for the purpose of meeting the requirements of those who are in the rice business and process up to 2500 kg/h of paddy, with equipment of low power consumption and excellent yields, providing a final product of high quality.

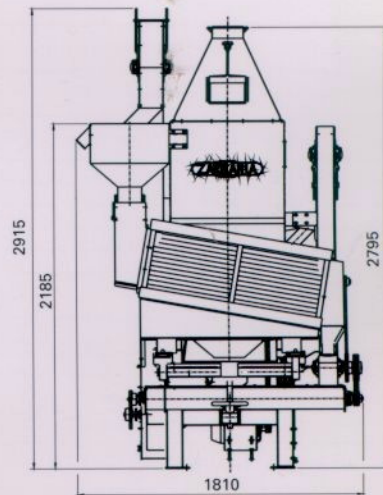
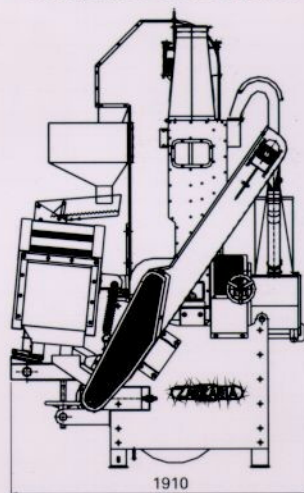
The Brown Rice Unit, model AIZX-50, is a modular and compact unit which is composed of a paddy husker, which uses 10"x10" rubber rolls; a husk separation chamber, and paddy separator with indented trays made of stainless steel sheet. It allows the mounting of one or more brown rice production units to feed already existing whitening machines. This is a adequate solution for those who wish to start in the rice business or else expand his already existing rice mill at a low cost.

### CONSTRUCTION CHARACTERISTICS

- Three operations: husking, husk separation, and paddy separation in a single unit;
- Conveying systems: screw conveyor, elevator and chain conveyor (all incorporated in the unit);
- Individual drive motors, being one for the paddy husker and another one for the paddy husker and conveyors;
- Husk is extracted by means of a pneumatic system.

### ADVANTAGES

- Permits modular mounting;
- Permits full control of process;
- Easy maintenance;
- Compact design;
- Low power consumption.



# ZACCARIA

OUR EXPERIENCE MAKES THE DIFFERENCE

Note: The machine is originally supplied with motor.

Indústrias Machina Zaccaria S/A reserves the right to change the information stated in this catalog, including the color and details of the machine, without previous notice.

**AGRO-INDUS**

**AGRO-INDUSTRIAL SUPPLIES [M] SDN. BHD.**

Lot: 25-28 & 32 Kawasan Perusahaan Bandar Darulaman  
06000 Jitra, Kedah D.A., Malaysia

Tel: 604-917 9591 Fax: 604-917 9596  
E-mail: info@agro-indus.com Website: www.agro-indus.com