

VDZ-3



Dosing
Fan
VDZ-3

Distributor:



CREATIVE TECHNOLOGICAL INNOVATIONS

VDZ-3

Dosing Fan VDZ-3

The Zaccaria Dosing Fan model VDZ-3 is a piece of equipment designed for conveyance of products such as paddy husk, bran and similar products. It has a dosing valve with rubber blades which is capable of conveying the product in a continuous dosing way through the airflow created by a highly efficient centrifugal fan.

This conveyor is capable of carrying, for instance, paddy husk to the horizontal distance of approximately 50 meters through piping having two 90° bends.

Model:

VDZ-3

Power / Poles:

Fan - 60 Hz
3,7 kW / IV
5 hp / IV

Fan - 50 Hz
4,0 kW / IV
5,5 hp / IV

Rotary Valve - 50/60 Hz
0,37 kW / VI
0,5 hp / VI

Conveyance capacity of paddy husk (kg/h):

Up to 1200

Approx. shipping volume (m³):

1,1

Approx. shipping weight (kg):

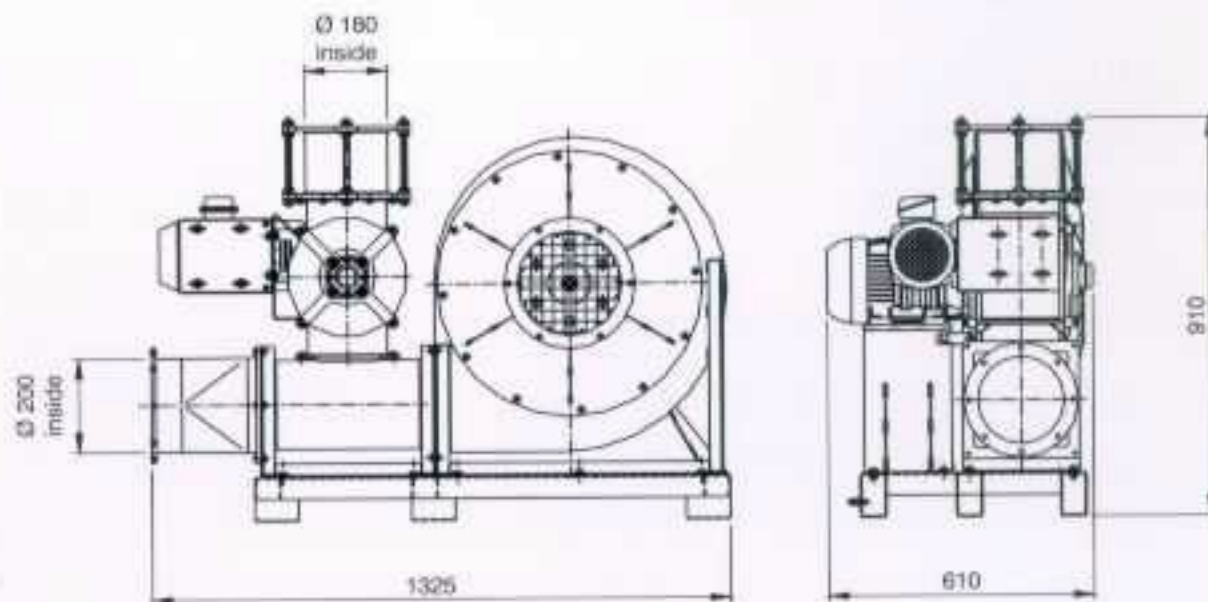
270

Dimensions (mm):

Width x Length x Height
610 x 1325 x 910

ADVANTAGES

- Efficient for horizontal, inclined and vertical conveyance;
- Low cost compared to other types of conveyors;
- Dosing valve with direct drive by reduction motor shaft;
- Low level of noise;
- Fan of high efficiency;
- Compact design.



Notes: •For conveyance capacity of other products, please consult the factory.
• Equipment supplied with motor.
• For best performance it is recommended that paddy be processed with 12 - 13% (B. U.) of moisture content.

Indústrias Machina Zaccaria S/A reserves the right to change the specifications herein stated, including color and details, without previous notice.

ZACCARIA

OUR EXPERIENCE MAKES THE DIFFERENCE



AGRO-INDUSTRIAL SUPPLIES (M) SDN. BHD.

Lot: 25-28 & 32 Kawasan Perusahaan Bandar Darulaman
06000 Jitra, Kedah D.A., Malaysia

Tel: 604-917 9591 Fax: 604-917 9596
E-mail: info@agro-indus.com Website: www.agro-indus.com

