



*Compact Rice
Milling Machine*
RURAL ZX-3

Distributor:



CREATIVE TECHNOLOGICAL INNOVATIONS

RURAL ZX-3

Compact Rice Milling Machine

RURAL ZX-3

The Rural ZX-3 Rice Milling Machine was designed to meet the requirements of small farmers or small rice producers. This one-pass machine can perform the following operations: paddy cleaning, husking, husk separation and whitening. Although the compact design of this machine, it can produce good quality rice with excellent yields.

THE MACHINE CONSISTS OF

- Feed hopper
- Inlet with vibrating screen for paddy cleaning
- Husking chamber with rubber rolls
- Husk aspirating chamber
- Milling chamber with an abrasive roller and screens for whitening
- Vibrating sifter for milled rice
- Base for electric motor

Model

RURAL ZX-3

Required Power (kw, cv, rpm)

Electric powered: 3.7, 5, 1800 (60 Hz)
Diesel powered: 5.5, 7.5, 1920 (60 Hz)

Revolution of the milling shaft (rpm)

770

Approx. shipping weight (kg)

180

Approx. shipping volume (m³)

1.5

Dimensions (mm)

L	W	H
1100	900	1600

Maximum Input Capacity (kg/h)

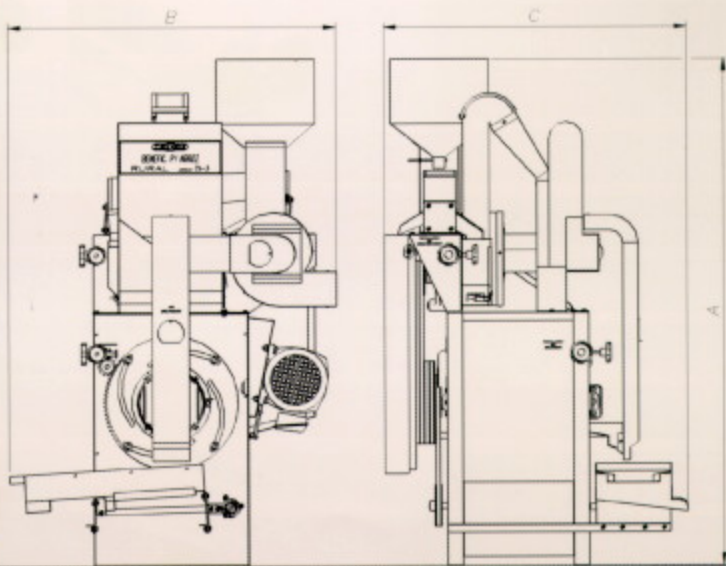
260

OPTIONAL ACCESSORIES

- Cyclone for husks;
- Elevator including intake hopper;
- Length separating cylinder with elevator and spouts;
- Coupling for diesel motor (when diesel powered only);
- Stand for the machine and grading cylinder.

Notes

- Electric motor not included.
- For maximum performance, paddy moisture contents should be within 12-13%.
- *Industrias Machina Zaccaria S.A.* reserves the right to change the technical specifications including the equipment color and details without previous notice.



AGRO-INDUSTRIAL SUPPLIES [M] SDN. BHD.

Lot: 25-28 & 32 Kawasan Perusahaan Bandar Darulaman
06000 Jitra, Kedah D.A., Malaysia

Tel: 604-917 9591 Fax: 604-917 9596

E-mail: info@agro-indus.com Website: www.agro-indus.com